



88SE9120 R3.0

One-Lane PCIe 2.0 to 6 Gbps SATA
and PATA I/O Controller

Datasheet

Doc No. MV-S107836-U0 Rev. B

October 5, 2018

CONFIDENTIAL

Document Classification: Public



For more information, visit our website at: www.marvell.com

This Document And The Information Furnished In This Document Are Provided "As Is" Without Any Warranty. Marvell Expressly Disclaims And Makes No Warranties Or Guarantees, Whether Express, Oral, Implied, Statutory, Arising By Operation Of Law, Or As A Result Of Usage Of Trade, Course Of Dealing, Or Course Of Performance, Including The Implied Warranties Of Merchantability And Fitness For Particular Purpose And Non-infringement.

This document, including any software or firmware included or referenced in this document is owned by Marvell. The information furnished in this document is provided for reference purposes only for use with Marvell products. It is the user's own responsibility to design or build products with the information. Marvell products are not authorized for use as critical components in medical devices, military systems, life or critical support devices, or related systems. Marvell is not liable, in whole or in part, and the user shall indemnify and hold Marvell harmless for any claim, damage, or other liability related to any such use of Marvell products. Marvell and the Marvell logo are registered trademarks of Marvell. For a more complete listing of Marvell trademarks, visit www.marvell.com.

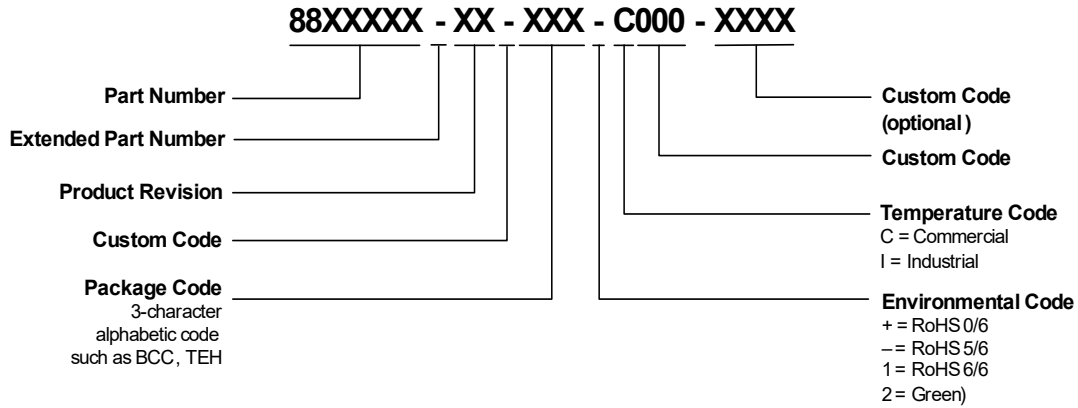
Copyright © 2018. Marvell International Ltd. All rights reserved.

ORDERING INFORMATION

Ordering Part Numbers and Package Markings

The following figure shows the ordering part numbering scheme for the 88SE9120 part. For complete ordering information, contact your Marvell FAE or sales representative.

Sample Ordering Part Number



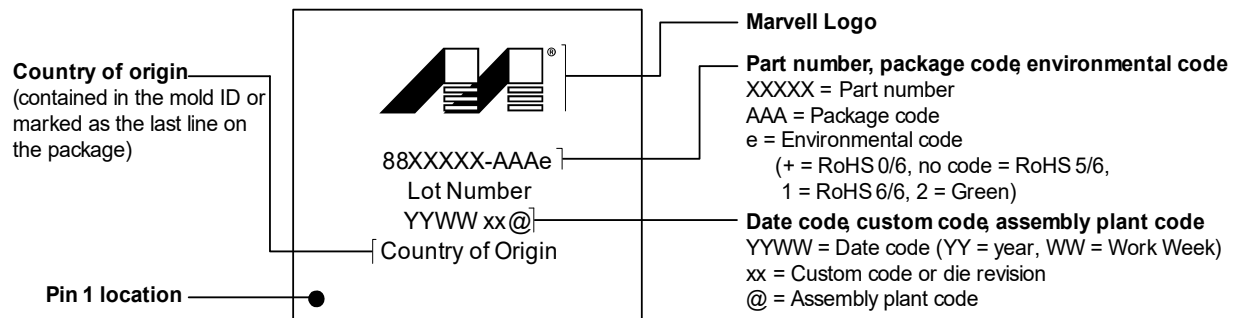
The standard ordering part numbers for the respective solutions are indicated in the following table.

Ordering Part Numbers

| Part Number | Description |
|---------------------|---|
| 88SE9120C0-NAA2C000 | PCIe 2.0 x1 to two SATA 6 Gb + one PATA ports I/O controller. |
| 88SE9120C0-NAA2I000 | PCIe 2.0 x1 to two SATA 6 Gb + one PATA ports I/O controller, industrial grade. |

The next figure shows a typical Marvell package marking.

88SE9120 Package Marking and Pin 1 Location



Note: The above drawing is not drawn to scale. The location of markings is approximate. Add-on marks are not represented. Flip chips vary widely in their markings and flip chip examples are not shown here. For flip chips, the markings may be omitted per customer requirement.



THIS PAGE LEFT INTENTIONALLY BLANK

CHANGE HISTORY

The following table identifies the document change history for Rev. B.

Document Changes *

| Location | Type | Description | Date |
|----------|--------|---|---------------|
| Global | Update | Removed “preliminary” designation from titles and page headers. | April 4, 2018 |
| Page 4-1 | Update | <p>Updated the following in Chapter 4, Layout Guidelines:</p> <p>The information in this chapter is preliminary. Please consult with Marvell Semiconductor design and application engineers before starting your PCB design.</p> <p>to</p> <p>Note: <i>The information in this chapter is intended only to provide guidelines, and is not meant to restrict the customer from exercising discretion in implementing board designs. In cases where it is deemed necessary to deviate from the guidelines, Marvell recommends that customers consult with the Marvell FAEs to ensure that the performance of the Marvell product is not compromised.</i></p> | April 6, 2018 |

* The type of change is categorized as: Parameter, Revision, or Update. A Parameter change is a change to a spec value, a Revision change is one that originates from the chip Revision Notice, and an Update change includes all other document updates.



THIS PAGE LEFT INTENTIONALLY BLANK

CONTENTS

| | | |
|----------|---|------------|
| 1 | OVERVIEW | 1-1 |
| 2 | FEATURES | 2-1 |
| 2.1 | GENERAL | 2-2 |
| 2.2 | PCIe | 2-3 |
| 2.3 | SATA CONTROLLER | 2-4 |
| 2.4 | ATA/ATAPI CONTROLLER | 2-5 |
| 2.5 | SPI INTERFACE CONTROLLER | 2-6 |
| 2.6 | PERIPHERAL INTERFACE CONTROLLER | 2-7 |
| 3 | PACKAGE | 3-1 |
| 3.1 | PIN DIAGRAM | 3-2 |
| 3.2 | MECHANICAL DIMENSIONS | 3-3 |
| 3.3 | SIGNAL DESCRIPTIONS | 3-5 |
| 3.3.1 | Pin Type Definitions | 3-5 |
| 3.3.2 | Signal Descriptions | 3-5 |
| 4 | LAYOUT GUIDELINES | 4-1 |
| 4.1 | BOARD SCHEMATIC EXAMPLE | 4-2 |
| 4.2 | EXTERNAL VOLTAGE REGULATOR | 4-3 |
| 4.2.1 | Recommended Components | 4-3 |
| 4.2.2 | External BJT Requirements | 4-3 |
| 4.3 | LAYER STACK-UP | 4-4 |
| 4.3.1 | Layer 1–Topside, Parts, Slow and High Speed Signal Routes, and Power Routes | 4-4 |
| 4.3.2 | Layer 2–Solid Ground Plane | 4-4 |
| 4.3.3 | Layer 3–Power Plane | 4-4 |
| 4.3.4 | Layer 4–Bottom Layer, Slow and High-Speed Signal Routes, and Power Routes | 4-4 |
| 4.4 | POWER SUPPLY | 4-5 |
| 4.4.1 | VDD Power (1.0V) | 4-5 |
| 4.4.2 | Analog Power Supply (1.8V) | 4-5 |
| 4.4.3 | Bias Current Resistor (RSET) | 4-5 |
| 4.5 | PCB TRACE ROUTING | 4-6 |
| 4.6 | RECOMMENDED LAYOUT | 4-7 |
| 5 | ELECTRICAL SPECIFICATIONS | 5-1 |
| 5.1 | ABSOLUTE MAXIMUM RATINGS | 5-2 |
| 5.2 | RECOMMENDED OPERATING CONDITIONS | 5-3 |
| 5.3 | POWER REQUIREMENTS | 5-4 |
| 5.4 | VOLTAGE REGULATOR REQUIREMENTS | 5-5 |
| 5.5 | DC ELECTRICAL CHARACTERISTICS | 5-6 |
| 5.6 | THERMAL DATA | 5-7 |



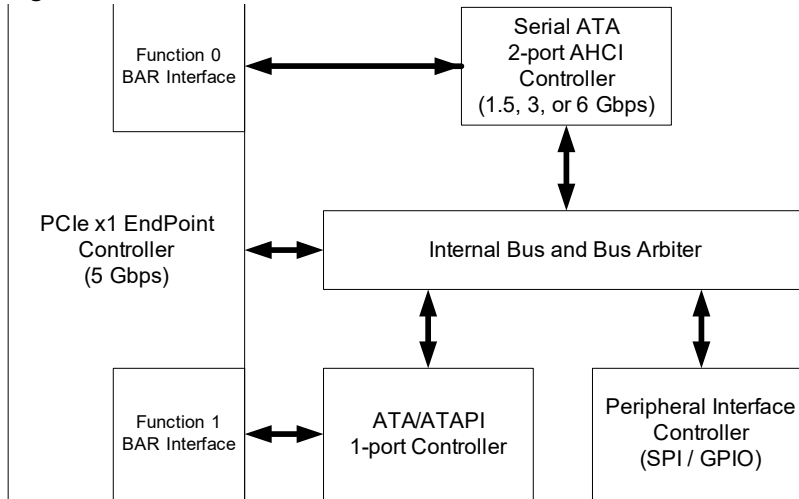
THIS PAGE LEFT INTENTIONALLY BLANK

1 OVERVIEW

The 88SE9120 is a two-port, 3 Gbps or 6 Gbps SATA and PATA I/O controller that provides a one-lane PCIe 2.0 interface. The 88SE9120 provides both SATA and ATA/ATAPI controller functions. The 88SE9120 supplies two 6 Gbps SATA ports and one PATA port.

The 88SE9120 controller brings a high-performance 3 Gbps or 6 Gbps SATA and PATA hardware solution to desktop/consumer storage applications utilizing a one-lane PCIe 2.0 interface. The 88SE9120 supports devices compliant with the Serial ATA International Organization: Serial ATA Revision 3.0 specification and the ATA/ATAPI-7 specification. Figure 1-1 shows the system block diagram.

Figure 1-1 88SE9120 Block





THIS PAGE LEFT INTENTIONALLY BLANK

2 FEATURES

This chapter contains the following sections:

- General
- PCIe
- SATA Controller
- ATA/ATAPI Controller
- SPI Interface Controller
- Peripheral Interface Controller



2.1 General

- 55 nm CMOS process, 1.0V digital core, 1.8V analog, and 3.3V I/O power supplies.
- An optional on-die regulator can be used with an external PNP bipolar device to generate a 1.0V supply to the chip from an 1.8V power source.
- Reference clock frequency of 25 MHz, provided by an external clock source or generated by an external crystal oscillator.

2.2 PCIe

- PCIe 2.0 endpoint device.
- Supports one lane.
- Compliant with PCIe 2.0 specifications.
- Supports communication speeds of 2.5 Gbps and 5.0 Gbps.
- Supports IDE programming interface registers for the SATA controller and the ATA/ATAPI controller.
- Supports AHCI programming interface registers for the SATA controller.
- Supports aggressive power management.
- Supports error reporting, recovery, and correction.
- Supports Message Signaled Interrupt (MSI).

2.3 SATA Controller

- Compliant with Serial ATA Specification 3.0.
- Supports communication speeds of 6.0 Gbps, 3.0 Gbps, and 1.5 Gbps.
- Supports programmable transmitter signal levels.
- Supports Gen 1i, Gen 1x, Gen 2i, Gen 2m, Gen 2x, and Gen 3i.
- Supports ATA and ATAPI commands
- Supports two SATA ports.
- Supports AHCI 1.0 and IDE programming interface.
- Supports Native Command Queuing (NCQ).
- Supports Port Multiplier FIS-based switching or command-based switching.
- Supports Partial and Slumber Power Management states.
- Supports Staggered Spin-up.

2.4 ATA/ATAPI Controller

- Supports ATA/ATAPI-7 specification, supports ATA and ATAPI commands
- Supports DMA protocols, and up to UDMA 150 Mbps data transfer rate
- Supports Multiword DMA and PIO modes for data transfer
- Supports Master and Slave operations from a single port
- Supports IDE programming interface

2.5 SPI Interface Controller

- A four-pin interface provides read and write access to an external SPI flash or SPI ROM device.
- Vendor-specific information stored in the external device is read by the controller during the chip power-up.
- PCI BootROMs of PCIe function 0 and function 1 can also be stored in the external SPI device and read through the Expansion ROM BAR and the SPI interface controller

2.6 Peripheral Interface Controller

- One Two-Wire Serial Interface (TWSI) port
 - Acts as a master to generate read/write requests to TWSI bus
 - Can be used for enclosure or system management
- Six General Purpose I/O (GPIO) ports.
 - Each of the six GPIO pins can be assigned to act as a general input or output pin.
 - Each of the GPIO inputs can be programmed to generate an edge-sensitive or a level-sensitive maskable interrupt.
 - Each of the GPIO outputs can be programmed for a connected LED to blink at a user-defined fixed rate. The default rate is 100 ms.



THIS PAGE LEFT INTENTIONALLY BLANK

3 PACKAGE

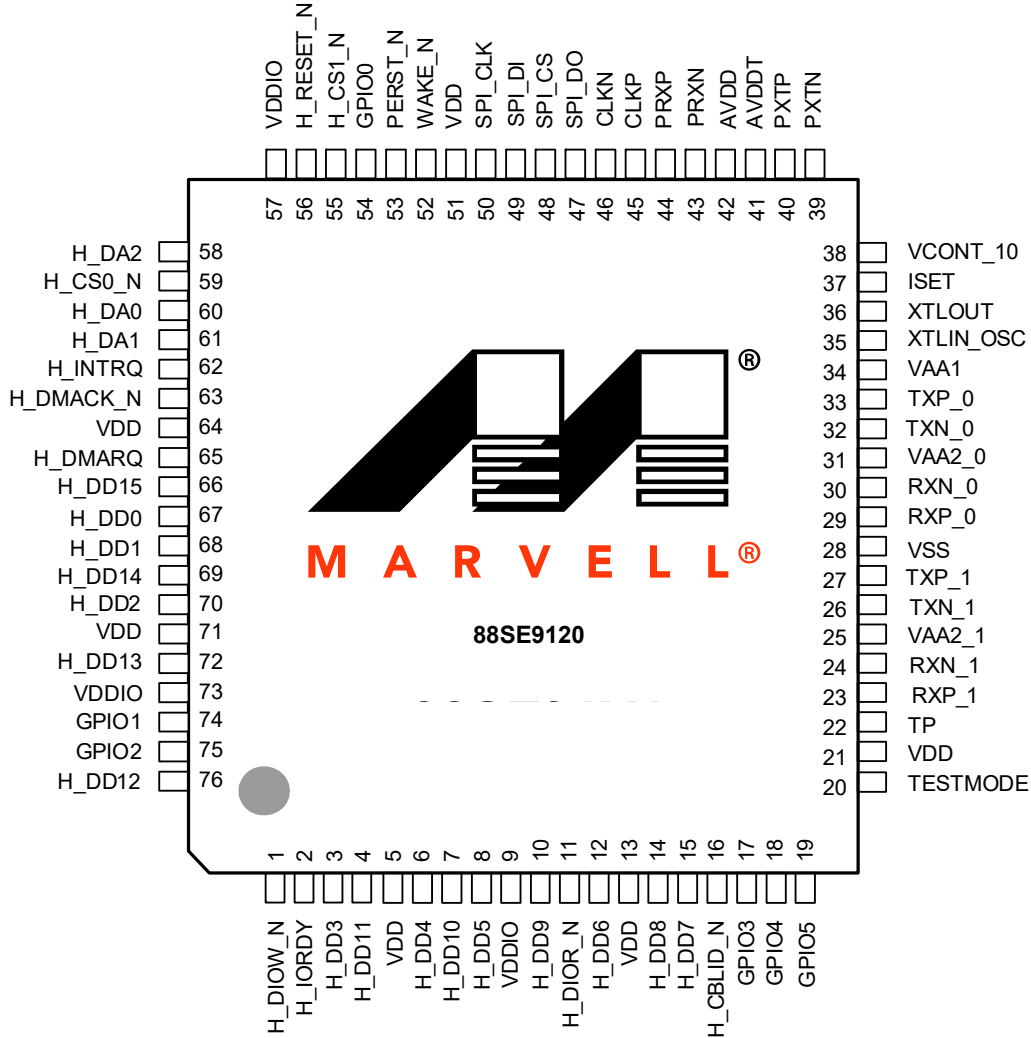
This chapter contains the following sections:

- Pin Diagram
- Mechanical Dimensions
- Signal Descriptions

3.1 Pin Diagram

The 76-pin QFN pin diagram is illustrated in Figure 3-1.

Figure 3-1 Pin Diagram (PATA)

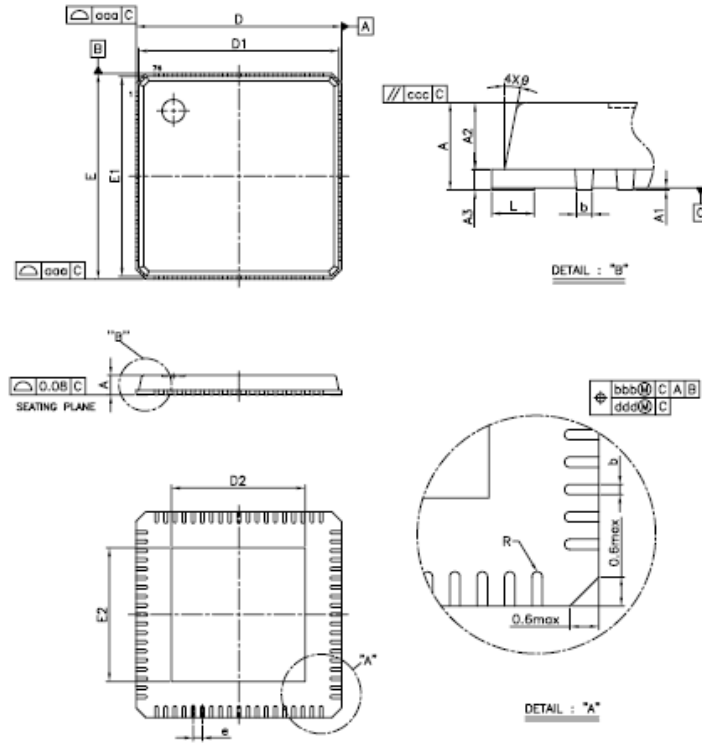


Note: The center area beneath the chip is the Exposed Die Pad (Epad). When designing the PCB, create a solder pad for the Epad and connect the Epad to ground.

3.2 Mechanical Dimensions

The package mechanical drawing is shown in Figure 3-2.

Figure 3-2 Package Mechanical Diagram



The package mechanical dimensions are shown in Figure 3-3.

Figure 3-3 Package Mechanical Dimensions

| Symbol | Dimension in mm | | | Dimension in inch | | |
|---------|-----------------|------|------|-------------------|-------|-------|
| | MIN | NOM | MAX | MIN | NOM | MAX |
| A | 0.80 | 0.85 | 1.00 | 0.031 | 0.033 | 0.039 |
| A1 | 0.00 | 0.02 | 0.05 | 0.000 | 0.001 | 0.002 |
| A2 | ---- | 0.65 | 1.00 | ---- | 0.026 | 0.039 |
| A3 | 0.20 REF | | | 0.008 REF | | |
| b | 0.15 | 0.20 | 0.25 | 0.006 | 0.008 | 0.010 |
| D | 9.00 BSC | | | 0.354 BSC | | |
| D1 | 8.75 BSC | | | 0.344 BSC | | |
| E | 9.00 BSC | | | 0.354 BSC | | |
| E1 | 8.75 BSC | | | 0.344 BSC | | |
| e | 0.40 BSC | | | 0.016 BSC | | |
| θ | 0° | ---- | 14° | 0° | ---- | 14° |
| R | 0.075 | ---- | ---- | 0.003 | ---- | ---- |
| aaa | ---- | ---- | 0.15 | ---- | ---- | 0.006 |
| bbb | ---- | ---- | 0.10 | ---- | ---- | 0.004 |
| ccc | ---- | ---- | 0.10 | ---- | ---- | 0.004 |
| ddd | ---- | ---- | 0.05 | ---- | ---- | 0.002 |
| chamfer | ---- | ---- | 0.60 | ---- | ---- | 0.024 |

| Exposed Die Pad Size / Lead length Options | | | |
|--|--------|-----------------|-------------------|
| Option | Symbol | Dimension in mm | Dimension in inch |
| Option #2 | D2 | 3.80 ± 0.20 | 0.150 ± 0.008 |
| | E2 | 3.80 ± 0.20 | 0.150 ± 0.008 |
| | L | 0.40 ± 0.10 | 0.016 ± 0.004 |

NOTE:

1. CONTROLLING DIMENSION : MILLIMETER
2. REFERENCE DOCUMENT: PROPOSED JEDEC MO-220.

Note: 88SE9120 uses the exposed die pad (Epad) size option # 2.

3.3 Signal Descriptions

This section contains the pin types and signal descriptions for the 88SE9120 package.

3.3.1 Pin Type Definitions

Pin type definitions are shown in Table 3-1.

Table 3-1 Pin Type Definitions

| Pin Type | Definition |
|----------|--|
| I/O | Input and output |
| I | Input only |
| O | Output only |
| mA | DC sink capability (All ATA I/Os are 12 mA) |
| 5 | 5V tolerance (All ATA I/Os are 5V tolerance) |
| A | Analog |
| PU | Internal pull-up |
| PD | Internal pull-down |
| OD | Open-drain pad |

3.3.2 Signal Descriptions

This section outlines the 88SE9120 pin descriptions. All signals ending with the letter N indicate an active-low signal.

Table 3-2 PATA Interface Signals

| Signal Name | Signal Number | Type | Description |
|-------------|---------------|-------------|---|
| H_DIOR_N | 11 | 5, O, 12 mA | Device I/O Read. Active low output which enables data to be read from the drive. This signal is redefined as H_HSTROBE in Ultra DMA data-out cycles, and redefined as H_HDMARDY_N in Ultra DMA data-in cycles. |
| H_CBLID_N | 16 | 5, I, 12 mA | Cable ID. When low, indicates if an 80-conductor cable is detected. |
| H_RESET_N | 56 | 5, O, 12 mA | Hardware Reset. When low, both the controller and the drive should enter hardware reset protocol. |
| H_CS1_N | 55 | 5, O, 12 mA | Device Chip Select. |
| H_CS0_N | 59 | 5, O, 12 mA | Selects Control Block registers or Command Block registers. |
| H_DA2 | 58 | 5, O, 12 mA | Device Address. |
| H_DA1 | 61 | 5, O, 12 mA | Selects register address. |
| H_DA0 | 60 | 5, O, 12 mA | Selects register address. |
| H_INTRQ | 62 | 5, I, PD | Device Interrupt. |

Table 3-2 PATA Interface Signals (continued)

| Signal Name | Signal Number | Type | Description |
|-------------|---------------|--------------------|--|
| H_DMACK_N | 63 | 5, O, 12 mA | DMA Acknowledge. Used with H_DMARQ in a DMA handshake. For Ultra DMA, the host writes the UDMA CRC code word at the de-asserting edge of H_DMACK_N in a Ultra DMA burst. |
| H_DMARQ | 65 | 5, I, PD, 12 mA | DMA Request. |
| H_DIOW_N | 1 | 5, O, 12 mA | Device I/O Write. Active low output which enables data to be written to the drive. This signal is redefined as H_STOP in Ultra DMA mode, where it is used to terminate a UDMA data-in or data-out burst transfer. |
| H_IORDY | 2 | 5, I, PU, 12 mA | Device I/O Ready. Used in PI/O cycles to pause the host H_DI/OR_N and H_DI/OW_N strobes. This signal is redefined in UDMA Data-Out mode as H_DDMARDY_N for the device to pause host H_HSTROBE, and redefined in UDMA data-in as H_DSTROBE. |
| H_DD15 | 66 | I/O | Data Bus. |
| H_DD14 | 69 | I/O | The lower 8 bits are used in access to Command Block registers and Control Block registers. The complete 16 bits are used in data transfer. |
| H_DD13 | 72 | I/O | |
| H_DD12 | 76 | I/O | |
| H_DD11 | 4 | I/O | |
| H_DD10 | 7 | I/O | |
| H_DD9 | 10 | I/O | |
| H_DD8 | 14 | I/O | |
| H_DD7 | 15 | I/O, PD | |
| H_DD6 | 12 | I/O | |
| H_DD5 | 8 | I/O | |
| H_DD4 | 6 | I/O | |
| H_DD3 | 3 | I/O | |
| H_DD2 | 70 | I/O | |
| H_DD1 | 68 | I/O | |
| H_DD0 | 67 | I/O | |

Note: All pins are 12 mA and 5V tolerant.

Table 3-3 PCIe Express Interface Signals

| Signal Name | Signal Number | Type | Description |
|-------------|---------------|----------|---|
| PERST_N | 53 | 5, I, PU | PCIe Platform Reset. Active low, indicates when the applied power is within the specified tolerance and stable. |
| WAKE_N | 52 | 5, O, OD | PCIe Wake-up. An open-drain, active low signal that is driven low by a PCIe Express function to reactivate the PCIe Express Link hierarchy's main power rails and reference clocks. + Note: Do not connect to this pin. 88SE9120 does not support this function. Note: For applications that support a wake-up function, connect this pin to the WAKE# signal of a PCIe Express card slot or system board. Connect an external pull-up resistor from the PCIe Express card slot or system board to the 3.3V auxiliary supply. For applications that do not support a wake-up function, keep the WAKE_N pin on the 88SE9120 open. |
| CLKP | 45 | I, A | PCIe Reference Clock of 100 MHz. |
| CLKN | 46 | | |
| PRXP | 44 | I, A | PCIe Express differential signals to the controller's receiver. |
| PRXN | 43 | | |
| PTXP | 40 | O, A | PCIe Express differential signals from the controller's transmitter. |
| PTXN | 39 | | |

Table 3-4 Serial ATA Interface Signals

| Signal Name | Signal Number | Type | Description |
|-------------|---------------|------|--|
| TXN_0 | 32 | O, A | Serial ATA Transmitter Differential Outputs. |
| TXP_0 | 33 | | |
| TXN_1 | 26 | | |
| TXP_1 | 27 | | |
| RXP_1 | 23 | I, A | Serial ATA Receiver Differential Inputs. |
| RXN_1 | 24 | | |
| RXP_0 | 29 | | |
| RXN_0 | 30 | | |

Table 3-5 Reference Signals

| Signal Name | Signal Number | Type | Description |
|-------------|---------------|--------|--|
| ISET | 37 | I/O, A | Reference Current for Crystal Oscillator and PLL. This pin has to be connected to an external 6.04 kΩ +/-1% resistor to Ground. |
| XTLOUT | 36 | O, A | Crystal Output. |
| XTLIN_OSC | 35 | I, A | Reference Clock Input. This signal can be from an oscillator, or connected to a crystal with the XTLOUT pin. The clock frequency must be 25 MHz ± 80 ppm. |

Table 3-6 General Purpose I/O Signals

| Signal Name | Signal Number | Type | Description |
|-------------|---------------|-------------------------|----------------------|
| GPIO0 | 54 | 5, I/O, 12 mA, PU | General Purpose I/O. |
| GPIO1 | 74 | | |
| GPIO2 | 75 | | |
| GPIO3 | 17 | | |
| GPIO4 | 18 | | |
| GPIO5 | 19 | | |

Table 3-7 SPI Flash Interface Signals

| Signal Name | Signal Number | Type | Description |
|-------------|---------------|----------------|--|
| SPI_CLK | 50 | 5, O, 12 mA | SPI Interface Clock. |
| SPI_DI | 49 | 5, I, PU | Serial Data In. Connect to the serial flash device's serial data output (DO). |
| SPI_CS | 48 | 5, O, 12 mA | SPI Interface Chip Select. |
| SPI_DO | 47 | 5, O, 12 mA | Serial Data Out. Connect to the serial flash device's serial data input (DI). |

Table 3-8 Test Mode Interface Signals

| Signal Name | Signal Number | Type | Description |
|-------------|---------------|----------|--|
| TP | 22 | I/O, A | Analog Test Point for PCIe Express PHY, SATA PHY, crystal oscillator, and PLL. |
| TESTMODE | 20 | 5, I, PD | Test Mode. Enables chip test modes. |

Table 3-9 Power and Ground Pins

| Signal Name | Signal Number | Type | Description |
|-------------|---------------|-------|--|
| VCONT_10 | 38 | O, A | Voltage Control. Output signal which is connected to the base of an external BJT component to generate a 1.0V supply from 1.8V. |
| VAA2_0 | 31 | Power | Analog power. |
| VAA2_1 | 25 | | 1.8V analog power supply for SATA PHY. |
| VAA1 | 34 | Power | Analog power 1.8V analog power for crystal oscillator, reference current generator, PLL, and internal voltage regulator. |
| AVDD | 42 | Power | Analog power. |
| AVDDT | 41 | | 1.8V analog power supply for PCIe PHY. |
| VDDIO | 9 | Power | I/O Power. 3.3V analog power supply for digital I/Os. |
| | 57 | | |
| | 73 | | |
| VDD | 5 | Power | 1.0V Core Digital Power. |
| | 13 | | |
| | 21 | | |
| | 51 | | |
| | 64 | | |
| | 71 | | |
| VSS | 28 | Power | Ground. The main ground is the exposed die-pad (ePad) on the bottom side of the package. |



THIS PAGE LEFT INTENTIONALLY BLANK

4 LAYOUT GUIDELINES

This chapter describes the system recommendations from the Marvell Semiconductor design and application engineers who work with the 88SE9120. It is written for those who are designing schematics and printed circuit boards for an 88SE9120-based system. Whenever possible, the PCB designer must try to follow the suggestions provided in this chapter.

Note: The information in this chapter is intended only to provide guidelines, and is not meant to restrict the customer from exercising discretion in implementing board designs. In cases where it is deemed necessary to deviate from the guidelines, Marvell recommends that customers consult with the Marvell FAEs to ensure that the performance of the Marvell product is not compromised.

The chapter contains the following sections:

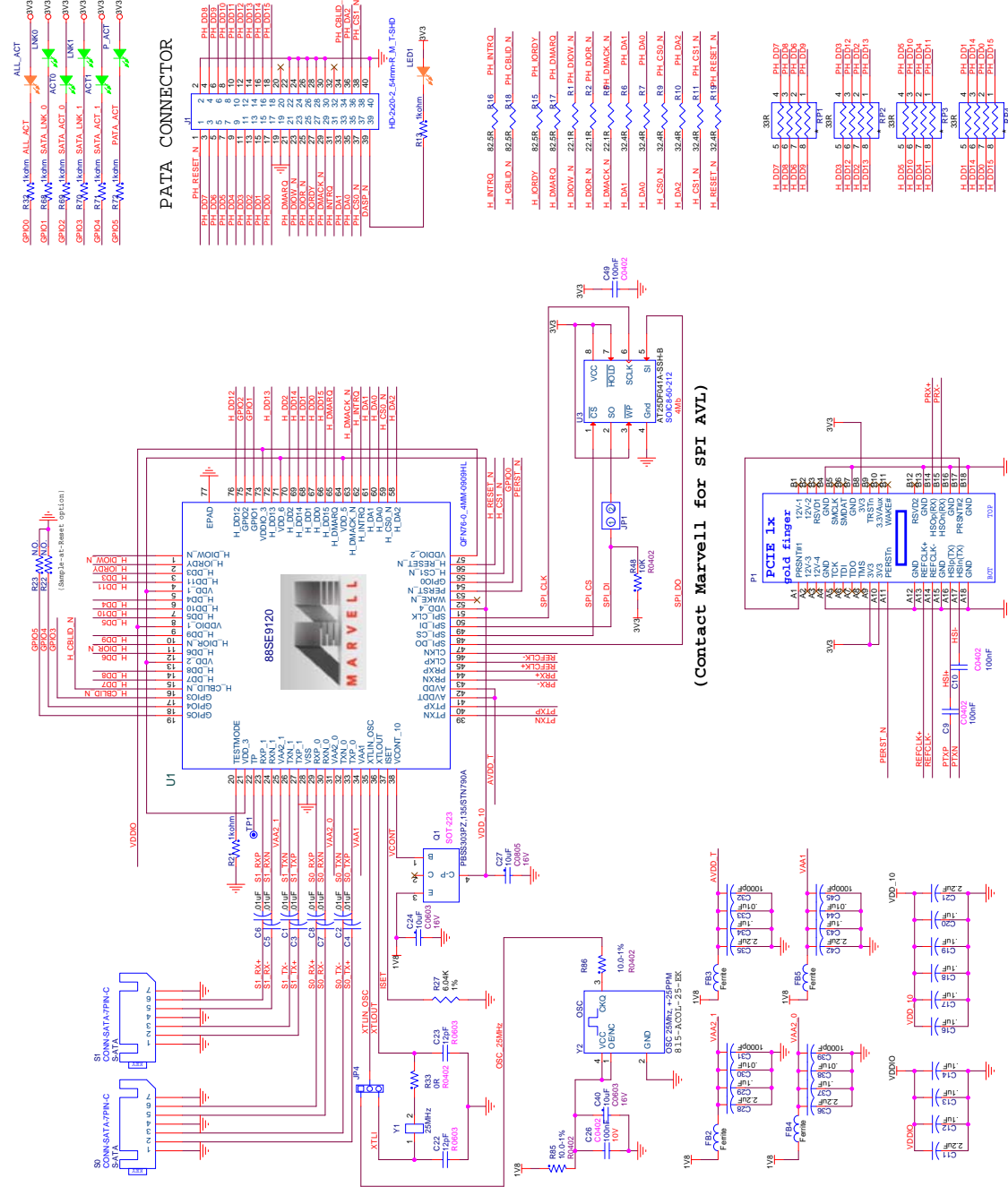
- [Board Schematic Example](#)
- [External Voltage Regulator](#)
- [Layer Stack-up](#)
- [Power Supply](#)
- [PCB Trace Routing](#)
- [Recommended Layout](#)

Refer to Chapter 3, [Package](#), for package information.

4.1 Board Schematic Example

The board schematic consists of the major interfaces of the 88SE9120 including SATA, PATA and PCIe. Figure 4-1 shows an example board schematic.

Figure 4-1 88SE9120 Example Board Schematic



Note: Please contact your Marvell field applications engineer for the latest schematics.

4.2 External Voltage Regulator

The external voltage regulator consists of an external Bipolar Junction Transistor (BJT). The voltage level is on the **VCONT_10** voltage control pin and it supplies VDD_10 to the core power. The collector of the BJT provides a stable voltage source and sufficient current to drive the 88SE9120.

The BJT's supply voltage, VAA, can use the same source as the 88SE9120's VAA1 or VAA2. The BJT and the internal regulator core forms a closed feedback loop to provide a stable voltage for VDD_10.

4.2.1 Recommended Components

For stability reasons, the loading capacitor on the collector output has a low Effective Series Resistance (ESR). The ESR is inversely proportional to the zero location. Table 4-1 describes the recommended components for the reference design.

Table 4-1 Component List

| Symbol | Manufacturer | Part Number | Description |
|--------|---------------------------|----------------|---|
| C1 | Johansen Dialelectrics | 6R3R15X106KV4E | 10 μ F Tanceram Capacitor. <ul style="list-style-type: none"> • ESR of 20–50 mΩ at 1 MHz UGBW • High DC breakdown • Low DC leakage <p>Note: The second pole must be kept away from the UGBW because of parasitic RC inside the BJT.</p> |
| Q1 | Phillips Semiconductor | PBSS5120T | Low V_{CESAT} PNP transistor. |

4.2.2 External BJT Requirements

An h_{FE} of 200–400 is required when the BJT output current (I_C) reaches its maximum, and low V_{CESAT} (about 200 mV at I_{Cmax}). The trace length between the BJT and the **VCONT_10** pin of the 88SE9120 must be less than 0.5 in. The control signal **VCONT_10** connects to the base of the BJT. The PCB trace for the BJT and the load capacitor must be about 10 mils wide.

Regarding thermal characteristics, the mounting pad for the collector must be at least 1 cm² tin plated with single-sided copper. The typical power dissipation is approximately 0.5W for this BJT. Electrical requirements for the BJT are listed in Table 5-4, [External BJT Requirements](#).

4.3 Layer Stack-up

The following layer stack up is recommended:

- Layer 1–Topside, Parts, Slow and High Speed Signal Routes, and Power Routes
- Layer 2–Solid Ground Plane
- Layer 3–Power Plane
- Layer 4–Bottom Layer, Slow and High-Speed Signal Routes, and Power Routes

5 mil traces and 5 mil spacing are the recommended minimum requirements.

4.3.1 Layer 1–Topside, Parts, Slow and High Speed Signal Routes, and Power Routes

All active parts are to be placed on the topside. Some of the differential pairs for SATA and PCIe are routed on the top layer, differential 100 ohm impedance needs to be maintained for those high speed signals.

4.3.2 Layer 2–Solid Ground Plane

A solid ground plane must be located directly below the top layer of the PCB. This layer must be a minimum distance below the top layer in order to reduce the amount of crosstalk and EMI. No cutouts must exist in the ground plane. Use of 1 ounce copper is recommended.

4.3.3 Layer 3–Power Plane

Use solid planes on layer 3 to supply power to the ICs on the PCB. Avoid narrow traces and necks on this plane.

4.3.4 Layer 4–Bottom Layer, Slow and High-Speed Signal Routes, and Power Routes

Some of the differential pairs for SATA and PCIe are routed on the top layer, differential 100Ω impedance needs to be maintained for those high speed signals. The high speed signals have the return current on the third layer, which is the power plane. Make sure there is no cut-out under the signal path.

4.4 Power Supply

The 88SE9120 operates using the following power supplies:

- **VDD Power (1.0V)** for the digital core
- **Analog Power Supply (1.8V)**

4.4.1 VDD Power (1.0V)

All digital power pins (VDD pins) must be connected directly to a VDD plane in the power layer with short and wide traces to minimize digital power-trace inductances.

Use vias close to the VDD pins to connect to this plane and avoid using the traces on the top layer. Marvell recommends placing capacitors around the three sides of the PCB near VDD pins with the following dimensions:

- 1 nF (1 capacitor)
- 0.1 μ F (2 capacitors)
- 2.2 μ F (1 ceramic capacitor)

The 2.2 μ F ceramic decoupling capacitor is needed to filter the lower frequency power-supply noise.

To reduce system noise, the use of high-frequency surface-mount monolithic ceramic bypass capacitors must be placed as close as possible to the channel VDD pins. At least one decoupling capacitor must be placed on each side of the IC package.

Short and wide copper traces must be used to minimize parasitic inductances. Low-value capacitors (1,000–10,000 pF) are preferable over higher values because they are more effective at higher frequencies.

4.4.2 Analog Power Supply (1.8V)

The PCIe analog supply provides power for the PCIe link's high speed serial signals. To ensure high speed link operation, use a series of bypass capacitors for the supplies. A typical capacitor value combination is 1 nF, 0.1 μ F, and 2.2 μ F.

4.4.3 Bias Current Resistor (RSET)

Connect a 6.04K Ω (1%) resistor between the ISET pin and the adjacent top ground plane. This resistor must lie as close as possible to the ISET pin.

4.5 PCB Trace Routing

The stack-up parameters for the reference board are shown in Table 4-2.

Table 4-2 PCB Board Stack-up Parameters

| Layer | Layer Description | Copper Weight (oz) | Target Impedance ($\pm 10\%$) |
|-------|-------------------|--------------------|---------------------------------|
| 1 | Signal | 0.5 | 50 |
| 2 | GND | 1 | N/A |
| 3 | Power | 1 | N/A |
| 4 | Signal | 0.5 | 50 |

4.6 Recommended Layout

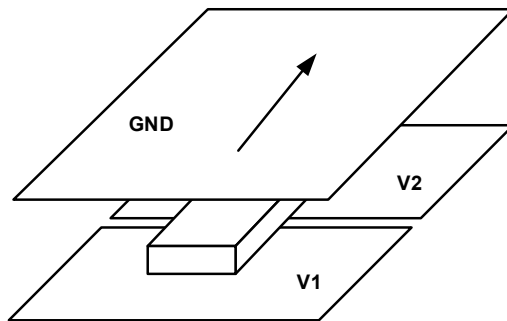
Solid ground planes are recommended. However, special care must be taken when routing VAA and VSS pins.

The following general tips describe what must be considered when determining your stack-up and board routing. These tips are not meant to substitute for consulting with a signal-integrity expert or doing your own simulations.

Note: Specific numbers or rules-of-thumb are not used here because they might not be applicable in every situation.

- Do not split ground planes.
Keep good spacing between possible sensitive analog circuitry on your board and the digital signals to sufficiently isolate noise. A solid ground plane is necessary to provide a good return path for routing layers. Try to provide at least one ground plane adjacent to all routing layers (see Figure 4-2).
- Keep trace layers as close as possible to the adjacent ground or power planes.
This helps minimize crosstalk and improve noise control on the planes.

Figure 4-2 Trace Has At Least One Solid Plane For Return Path



- When routing adjacent to only a power plane, do not cross splits.
Route traces only over the power plane that supplies both the driver and the load. Otherwise, provide a decoupling capacitor near the trace at the end that is not supplied by the adjacent power plane.
- Critical signals must avoid running parallel and close to or directly over a gap.
This would change the impedance of the trace.
- Separate analog powers onto opposing planes.
This helps minimize the coupling area that an analog plane has with an adjacent digital plane.
- For dual strip-line routing, traces must only cross at 90 degrees.
Avoid more than two routing layers in a row to minimize tandem crosstalk and to better control impedance.
- Planes must be evenly distributed in order to minimize warping.
- Calculating or modeling impedance must be made prior to routing.
This helps ensure that a reasonable trace thickness is used and that the desired board thickness is available. Consult with your board fabricator for accurate impedance.

- Allow good separation between fast signals to avoid crosstalk.
 Crosstalk increases as the parallel traces get longer.
- When packages become smaller, route traces over a split power plane
 Smaller packages force vias to become smaller, thereby reducing board thickness and layer counts, which might create the need to route traces over a split power plane. Some alternatives to provide return path for these signals are listed below.

Caution must be used when applying these techniques. Digital traces must not cross over analog planes, and vice-versa. All of these rules must be followed closely to prevent noise contamination problems that might arise due to routing over the wrong plane.

By tightly controlling the return path, control noise on the power and ground planes can be controlled.

- Place a ground layer close enough to the split power plane in order to couple enough to provide buried capacitance, such as SIG-PWR-GND (see Figure 4-3). Return signals that encounter splits in this situation simply jumps to the ground plane, over the split, and back to the other power plane. Buried capacitance provides the benefit of adding low inductance decoupling to your board. Your fabricator may charge for a special license fee and special materials. To determine the amount of capacitance your planes provide, use the following equation:

$$C = 1.249 \cdot 10^{-13} \cdot E_r \cdot L \cdot W / H$$

Where E_r is the dielectric coefficient, $L \cdot W$ represents the area of copper, and H is the separation between planes.

- Provide return-path capacitors that connect to both power planes and jumps the split. Place them close to the traces so that there is one capacitor for every four or five traces. The capacitors would then provide the return path (see Figure 4-4).
- Allow only static or slow signals on layers where they are adjacent to split planes.

Figure 4-3 shows the ground layer close to the split power plane.

Figure 4-3 Close Power and Ground Planes Provide Coupling For Good Return Path

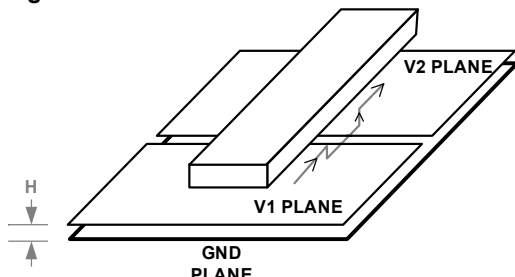
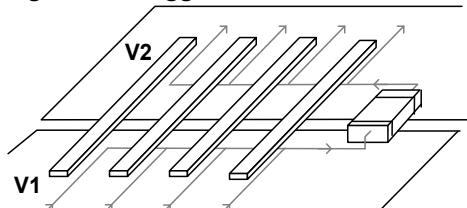


Figure 4-4 shows the thermal ground plane in relation to the return-path capacitor.

Figure 4-4 Suggested Thermal Ground Plane On Opposite Side of Chip



5 ELECTRICAL SPECIFICATIONS

This chapter contains the following sections:

- [Absolute Maximum Ratings](#)
- [Recommended Operating Conditions](#)
- [Power Requirements](#)
- [Voltage Regulator Requirements](#)
- [DC Electrical Characteristics](#)
- [Thermal Data](#)

5.1 Absolute Maximum Ratings

Table 5-1 defines the absolute maximum ratings for the 88SE9120.

Table 5-1 Absolute Maximum Ratings*

| Parameter | Symbol | Minimum | Typical | Maximum | Units |
|--|-----------------------|---------|---------|---------|-------|
| Absolute Analog Power for PCIe PHY | AVDD _{abs} | -0.5 | N/A | 1.98 | V |
| Absolute Analog Power for PCIe Tx | AVDDT _{abs} | -0.5 | N/A | 1.98 | V |
| Absolute Analog Power for Crystal Oscillator and PLL | VAA1 _{abs} | -0.5 | N/A | 1.98 | V |
| Absolute Analog Power for SATA PHY | VAA2_0 _{abs} | -0.5 | N/A | 1.98 | V |
| Absolute Analog Power for SATA PHY | VAA2_1 _{abs} | -0.5 | N/A | 1.98 | V |
| Absolute Digital Core Power | VDD _{abs} | -0.5 | N/A | 1.21 | V |
| Absolute Digital I/O Power | VDDIO _{abs} | -0.5 | N/A | 3.63 | V |

* Estimated values are provided until characterization is complete.

5.2 Recommended Operating Conditions

Table 5-2 defines the recommended operating conditions for the 88SE9120.

Table 5-2 Recommended Operating Conditions*

| Parameter | Symbol | Minimum | Typical | Maximum | Units |
|---|----------------------|---------|---------|---------|-------|
| Analog Power for PCIe PHY | AVDD _{op} | 1.71 | 1.8 | 1.98 | V |
| Analog Power for PCIe Tx | AVDDT _{op} | 1.71 | 1.8 | 1.98 | V |
| Analog Power for Crystal Oscillator and PLL | VAA1 _{op} | 1.71 | 1.8 | 1.98 | V |
| Analog Power for SATA PHY | VAA2_0 _{op} | 1.71 | 1.8 | 1.98 | V |
| Analog Power for SATA PHY | VAA2_1 _{op} | 1.71 | 1.8 | 1.98 | V |
| Digital Core Power | VDD _{op} | 0.95 | 1.0 | 1.21 | V |
| Digital I/O Power | VDDIO _{op} | 3.135 | 3.3 | 3.63 | V |
| Internal Bias Reference | ISET _{op} | 5.98 | 6.04 | 6.10 | KΩ |
| Ambient Operating Temperature, Advanced Commercial | N/A | 0 | N/A | 85 | °C |
| Ambient Operating Temperature, Industrial† | N/A | -40 | N/A | 85 | °C |
| Junction Operating Temperature, Advanced Commercial | N/A | 0 | N/A | 125 | °C |
| Junction Operating Temperature, Industrial† | N/A | -20 | N/A | 125 | °C |

* Estimated values are provided until characterization is complete.

† Engineering samples only. Estimated value provided until characterization is complete. Marvell does not have automotive or military qualification for industrial temperature versions of 88SE9120.

5.3 Power Requirements

Table 5-3 defines the power requirements for the 88SE9120.

Table 5-3 Power Requirements*

| Parameter | Symbol | Maximum | Units |
|---|---------------|---------|-------|
| Analog Power for PCIe Transmitter | I_{AVDDT} | 20 | mA |
| Analog Power for PCIe PHY Transmitter | I_{AVDD} | 70 | mA |
| Analog Power for Crystal Oscillator and PLL | I_{VAA1} | 10 | mA |
| Analog Power for SATA PHY | I_{VAA2_0} | 70 | mA |
| Analog Power for SATA PHY | I_{VAA2_1} | 70 | mA |
| Digital Core Power | I_{VDD} | 900 | mA |
| Digital I/O Power | I_{VDDIO} | 50 | mA |

* Estimated values are provided until characterization is complete.

5.4 Voltage Regulator Requirements

Table 5-4 defines the requirements for the external Bipolar Junction Transistor (BJT) used with the regulator core.

Table 5-4 External BJT Requirements*

| Parameter | Symbol | Minimum | Typical | Maximum | Units |
|---|-------------|---------|---------|---------|-------|
| DC Current Gain of the BJT | h_{FE} | 200 | N/A | N/A | mA/mA |
| Collector-Emitter Saturation Voltage | V_{CEsat} | N/A | N/A | -200 | mV |
| Power Dissipation of the BJT | P | N/A | N/A | 500 | mW |
| Equivalent series resistance of the capacitor | ESR | 20 | N/A | 50 | mΩ |
| Decoupling capacitor (ceramic) | C | 10 | N/A | N/A | μF |

* Estimated values are provided until characterization is complete.

5.5 DC Electrical Characteristics

Table 5-5 defines the DC electrical characteristics for the 88SE9120.

Table 5-5 DC Electrical Characteristics*

| Parameter | Symbol | Test Condition | Minimum | Typical | Maximum | Units |
|---------------------------|----------|---------------------------------|-----------------------|---------|------------------------|---------|
| Input Low Level Voltage | V_{IL} | N/A | -0.4 | N/A | $0.25 \times V_{DDIO}$ | V |
| Input High Level Voltage | V_{IH} | N/A | $0.8 \times V_{DDIO}$ | N/A | 5.5 | V |
| Output Low Level Current | I_{OL} | $V_{PAD} = 0.4V$ | 5 | N/A | N/A | mA |
| Output High Level Current | I_{OH} | $V_{PAD} = V_{DDIO} - 0.4V$ | 5 | N/A | N/A | mA |
| Pull Up Strength | I_{PU} | $V_{PAD} = 0.5 \times V_{DDIO}$ | 10 | N/A | N/A | μA |
| Pull Down Strength | I_{PD} | $V_{PAD} = 0.5 \times V_{DDIO}$ | 10 | N/A | N/A | μA |
| Input Leakage Current | I_{LK} | $0 < V_{PAD} < V_{DDIO}$ | N/A | N/A | 10 | μA |
| Input Capacitance | C_{IN} | $0 < V_{PAD} < 5.5V$ | N/A | N/A | 5 | pF |

* Estimated values are provided until characterization is complete.

5.6 Thermal Data

It is recommended to read the application note *AN-63 Thermal Management for Selected Marvell® Products* (Document Number MV-S300281-00) and the *ThetaJC, ThetaJA, and Temperature Calculations White Paper*, available from Marvell, before designing a system. These documents describe the basic understanding of thermal management of integrated circuits (ICs) and guidelines to ensure optimal operating conditions for Marvell products.

Table 5-6 provides the thermal data for the 88SE9120. The simulation was performed according to JEDEC standards.

Table 5-6 shows the values for the package thermal parameters for the 76-lead Quad Flat Non-Lead package (QFN76) mounted on a four-layer PCB.

Table 5-6 Package Thermal Data

| Parameter | Definition | Airflow Value | | | |
|---------------|--|---------------|----------|----------|----------|
| | | 0 m/s | 1 m/s | 2 m/s | 3 m/s |
| θ_{JA} | Thermal resistance: junction to ambient | 29.9 C/W | 26.6 C/W | 25.5 C/W | 24.8 C/W |
| Ψ_{JT} | Thermal characterization parameter: junction to top center | 0.63 C/W | N/A | N/A | N/A |



THIS PAGE LEFT INTENTIONALLY BLANK



Marvell Technology Group
www.marvell.com

Marvell. Moving Forward Faster