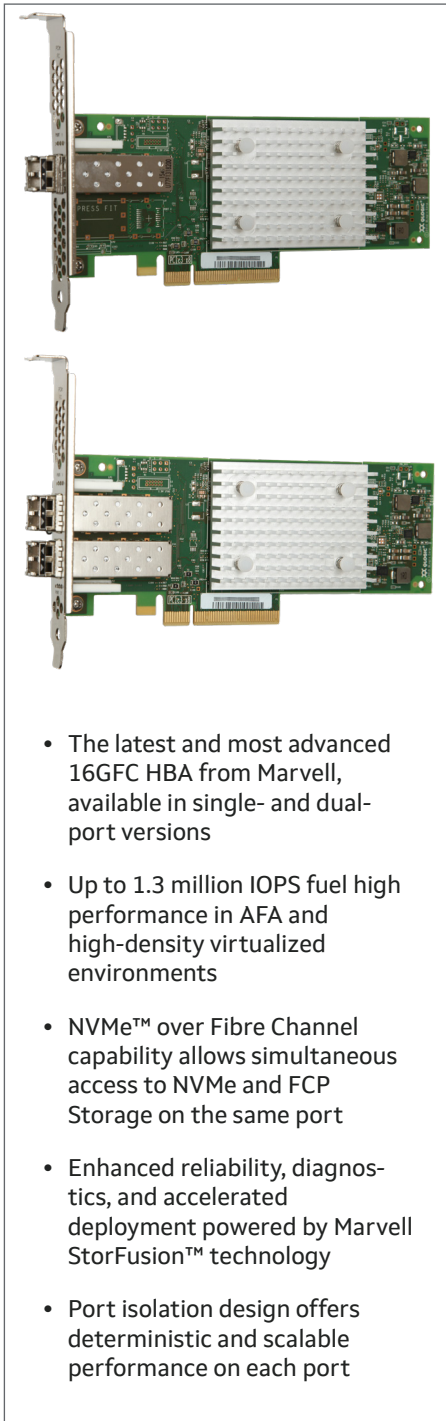


Marvell® QLogic® QLE2690/2692

Single-port and Dual-port Enhanced 16G Fibre Channel Adapters



- The latest and most advanced 16GFC HBA from Marvell, available in single- and dual-port versions
- Up to 1.3 million IOPS fuel high performance in AFA and high-density virtualized environments
- NVMe™ over Fibre Channel capability allows simultaneous access to NVMe and FCP Storage on the same port
- Enhanced reliability, diagnostics, and accelerated deployment powered by Marvell StorFusion™ technology
- Port isolation design offers deterministic and scalable performance on each port

The Marvell QLogic QLE2690 single-port and QLE2692 dual-port Enhanced 16-gigabit Fibre Channel (16GFC) HBAs boast industry-leading native FC performance with extremely low CPU usage and full hardware offloads.

Enhanced 16GFC

Compared to standard 16GFC, the Marvell QLogic Enhanced 16GFC solution offers higher per-port performance (up to 650K IOPS) with low power consumption. In addition, Marvell StorFusion™ technology delivers streamlined provisioning, QoS, and improved resiliency while addressing the needs of IT organizations that require reliability, integrated management, and guaranteed network performance.

Enhanced 16GFC technology resolves data center complexities by enabling a storage network infrastructure that supports powerful virtualization features, application-aware services, and simplified management. The QLE2690/2692 Adapters provide advanced storage networking features capable of supporting the most demanding virtualized and private cloud environments, while fully leveraging the capabilities of high-performance 16GFC and all-flash arrays (AFAs). Powerful management tools automate and simplify SAN provisioning to help reduce cost and complexity, while the unmatched 16GFC performance eliminates potential I/O bottlenecks in today's powerful multiprocessor, multicore servers.

Superior Performance

The QLE2690/2692 Adapters can accelerate mission-critical enterprise applications by delivering up to 1.3 million IOPS for physical, virtual, and private cloud environments. Marvell QLogic adapters deliver the best storage application performance in virtualized and non-virtualized environments with support for up to 6,400MBps of aggregate throughput.

NVM Express® Support

The QLE2690/2692 Adapters support the FC-NVMe (NVMe over Fibre Channel) protocol. The QLE2690/2692 Adapters can simultaneously support FC-NVMe and FCP-SCSI storage traffic. NVMe storage offers exceptionally high performance at very low latencies. NVMe works best with a network that can provide lossless, low-latency, and high-performing transport. The QLE2690/92, 16GFC Adapters bring the best of both worlds by offering the highest performance and lowest latency access to NVMe and SCSI storage over an FC network.

Virtualization Optimized

The QLE2690/2692 Adapters support standards-based virtualization features. Under VMware® ESXi 6.x and 7.x, I/O requests and responses can be tagged with the virtual machine-ID (VM-ID) of the appropriate virtual machine, providing end-to-end visibility at the VM level. Support for N_Port ID virtualization (NPIV) enables a single FC adapter port to provide multiple virtual ports for increased network scalability. In addition, the 16GFC line rate per physical port delivers unmatched storage performance to maximize the number of VMs per physical server.

Marvell StorFusion Technology

Marvell QLogic Enhanced 16GFC Adapters, powered by StorFusion technology, include advanced capabilities that are enabled when deployed with supported Brocade® and Cisco® switches. By combining these industry-leading solutions, SAN administrators can take advantage of enhanced features that improve availability, accelerate deployment, and increase network performance.

Improved Total Cost of Ownership and Reliability

StorFusion technology delivers advanced link diagnostics, which improve availability and support for high-performance fabrics. Using the Diagnostics Port feature with a Brocade switch that supports ClearLink®, administrators can quickly run a battery of automated diagnostic tests to assess the health of links and fabric components.

The QLE2690/2692 Adapters support link cable beacon (LCB), which enables administrators to visually identify both ends of a physical link. In a large data center with hundreds of ports and cables to manage, a simple command turns on port LED beacons on both ends of a link cable connection. Administrators can use LCB to quickly identify connection peer ports without tracing the cable.

Marvell technology includes the read diagnostic parameters (RDP) feature, which provides detailed port, media, and optics diagnostics. From any point in the fabric, an administrator can use RDP to easily discover and diagnose link-related errors and degrading conditions on any N_Port-to-F_Port link.

The extensive suite of diagnostic tools maximizes uptime and performance, allowing organizations to address problems before they impact operations.

Rapid Server Deployment and Orchestration

StorFusion technology includes fabric pre-provisioning services that enable servers to be quickly deployed, replaced, and moved across the SAN. By leveraging the fabric-assigned port world wide name (FA-WWN) and fabric-based boot LUN discovery (F-BLD) capabilities, the creation of zones, LUNs, and other services can be completed before the servers arrive on site—eliminating time consuming, manual tasks that typically delay server deployment.

Performance SLA Enforcement with VM-level QoS

Network performance can be dramatically improved by implementing the industry-standard class-specific control (CS_CTL)-based frame prioritization QoS, which helps alleviate network congestion. When Marvell QLogic adapters with StorFusion

technology are connected to supported SAN fabrics, traffic is classified as it arrives at the switch, and is then processed on the basis of configured priorities. Traffic can be prioritized for delivery or subjected to limited delivery options. As a result, mission-critical workloads can be assigned a higher priority than less time-sensitive network traffic to achieve optimized performance.

Higher Resiliency and Performance with Automatic Error Recovery

Forward error correction (FEC) improves performance and link integrity to support higher end-to-end data rates by automatically recovering from many transmission errors without re-sending the frames. FEC automatically detects and recovers from bit errors, which results in higher availability and performance.

Automatic buffer-to-buffer credit recovery (BB-CR) helps overcome performance degradation, congestion, and link resets caused by buffer credit loss, especially on longer distance and high-loss fiber connections.

Simplified Management

The Marvell unified management application, QConvergeConsole® (QCC), provides single-pane-of-glass management across generations of Marvell QLogic FC adapters. In addition, Marvell supports all major APIs for deployment flexibility and integration with third-party management tools, including the VMware vCenter™ and Brocade SANnav Management Portal .

High Availability and Reliability

Marvell QLogic Enhanced 16GFC Adapters continue the tradition of complete port-level isolation across the FC controller architecture. This architecture, unlike other vendor solutions, provides independent function, transmit and receive buffers, an on-chip CPU, DMA channels, and a firmware image for each port. These features enable complete port-level isolation, prevent errors and firmware crashes from propagating across all ports, and provide predictable and scalable performance across all ports. The Marvell architecture delivers ultimate reliability to meet the needs of mission-critical enterprise applications with lower power and fewer CPU cycles, all while maintaining peak performance.

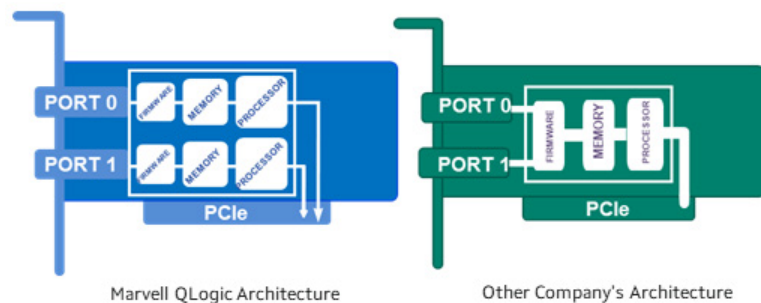


Figure 1. Port Isolation

In addition, overlapping protection domains (OPDs) ensure the highest level of reliability as data moves to and from the PCI® bus and FC network.

The QLE2690/2692 Adapters also provide end-to-end data integrity with support for T10 Performance Information (T10 PI), which prevents the risk of silent data corruption.

Leadership, Confidence, and Trust

The QLE2690/2692 Adapters are compatible with the same FC software driver stack that has been tested and validated across all major hardware platforms and all major hypervisors and OSs. The adapters are backward compatible with existing 4GFC and 8GFC infrastructure, leveraging existing SAN investments.

Marvell technology makes it the undisputed leader in FC adapters, with over 20 years of experience, more than 20 million ports shipped, and multiple generations of FC products that have been the leading choice of Marvell customers. Marvell owns the most established, proven FC stack in the industry, with more FC ports shipped than any other vendor.

Host Bus Interface Specifications

Bus Interface

- QLE2690/2692 PCI Express® (PCIe®) 3.0 x8

Host Interrupts

- INTx and MSI-X

Compliance

- PCI Express Base Specification, Rev. 3.1
- PCI Express Card Electromechanical Specification, Rev. 3.0
- PCI Bus Power Management Interface Specification, Rev. 1.2
- PCI Hot Plug Specification, Rev 1

Fibre Channel Specifications

Throughput

- 3,200Mbps full duplex line rate per port

Logins

- Support for 2,048 concurrent logins and 2,048 active exchanges per port

Port Virtualization

- NPIV

Compliance

- SCSI Fibre Channel Protocol 4 (FCP-4)
- Fibre Channel Tape (FC-TAPE) Profile
- Fibre Channel Generic Services 8 (FC-GS-8)
- Fibre Channel-Physical Interface-5 (FC-PI-5)
- Fibre Channel Link Services 4 (FC-LS-4)
- Fibre Channel Framing and Signaling 4 (FC-FS-4)
- Fibre Channel NVMe (FC-NVMe)

Tools and Utilities

Management Tools and Device Utilities

- QConvergeConsole: a unified management tool (GUI using vCenter Plug-in and CLI across Linux/ESX/Windows OSs) that spans generations of Marvell QLogic FC adapters

Boot Support

- BIOS
- Unified Extensible Firmware Interface (UEFI)
- Forth code (FCode)

APIs

- SNIA HBA API V2
- SMI-S

Operating System Support

- For the latest applicable operating system information, see www.support.dell.com

End-to-End Provisioning and Management Features

The following features require a supported Brocade switch running Fabric OS® version 7.3.0a or later or a supported Cisco switch running the latest version of NX-OS.

Performance

- QoS CS_CTL
- FEC
- Buffer-to-buffer credit recovery (BB-CR): automatic buffer credit loss detection and recovery

Diagnostics

- Diagnostics Port
- LCB
- RDP

Deployment and Management

- FA-WWN
- F-BLD
- FC ping
- FC traceroute
- VM-ID
- Fabric device management interface (FDMI) enhancements

Physical Specifications

Ports

- QLE2690: single-port, Enhanced 16GFC
- QLE2692: dual-port, Enhanced 16GFC

Form Factor

- Low-profile PCIe card (6.6 inches × 2.731 inches)
- Custom form factors are also available

Environment and Equipment Specifications

Temperature

- Operating: 0°C to 55°C (32°F to 131°F)
- Storage: -20°C to 70°C (-4°F to 158°F)

Humidity

- Operating: 10% to 90%
- Storage: 5% to 95%

Environment and Equipment Specifications

Maximum Cable Distances

- Multimode optic:

Rate	Cable and Distance (m)	
	OM3	OM4
4GFC	380	400
8GFC	150	190
16GFC	100	125

Agency Approvals—Safety

US and Canada

- UL 60950-1
- CSA C22.2

Europe

- TUV EN60950-1
- TUV IEC 60950-1
- CB Certified

Agency Approvals—EMI and EMC (Class A)

US and Canada

- FCC Rules, CFR Title 47, Part 15, Subpart Class A
- Industry Canada, ICES-003: Class A

Europe

- EN55022
- EN55024
- EN61000-3-2
- EN61000-3-3

Japan

- VCCI: Class A

New Zealand and Australia

- AS/NZS: Class A

Korea

- KC-RRA Class A

Taiwan

- BSMI CNS 13438

Ordering Information

QLE2690-DEL-BK (403-BBMP)

- Single-port Enhanced 16GFC HBA with full-height bracket installed
- Ships with SR optical transceiver installed

QLE2690L-DEL-BK (403-BBMW)

- Single-port Enhanced 16GFC HBA with low-profile bracket installed
- Ships with SR optical transceiver installed

QLE2692-DEL-BK (403-BBMQ)

- Dual-port Enhanced 16GFC HBA with full-height bracket installed
- Ships with SR optical transceivers installed

QLE2692L-DEL-BK (403-BBMS)

- Dual-port Enhanced 16GFC HBA with low-profile bracket installed
- Ships with SR optical transceivers installed



Marvell first revolutionized the digital storage industry by moving information at speeds never thought possible. Today, that same breakthrough innovation remains at the heart of the company's storage, networking and connectivity solutions. With leading intellectual property and deep system-level knowledge, Marvell semiconductor solutions continue to transform the enterprise, cloud, automotive, industrial, and consumer markets. For more information, visit www.marvell.com.

© 2020 Marvell. All rights reserved. Marvell and the Marvell logo are trademarks of Marvell or its affiliates. Please visit www.marvell.com for a complete list of Marvell trademarks. Other names and brands may be claimed as the property of others.